

PP QJ Tank adaptor Hull Fitting



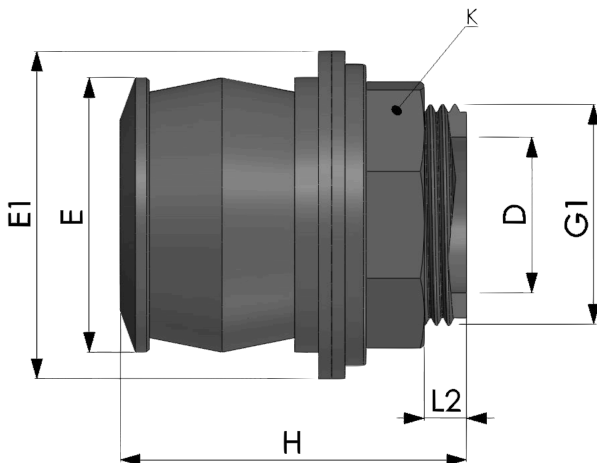
These new tank adaptor and Hull fitting and can be installed from one side. Ideal solution if one side is unreachable.

Fits on hull thickness between 2mm and 10mm

Click [HERE](#) for a demonstratie video on YouTube.

Technische Information

Material	:	Glass Fibre Reinforced Polypropyleen (PP)
Colour	:	Black (RAL 9011)
Operation Pressure	:	4 bar bij 20°C
Maximum working temperature	:	80°C



Tank adaptor Hull Fitting

Article number	G1	E	E1	D	H	L2	K
5741050303	1/2"	29	37	13	49	5	28
5741050505	3/4"	35	43	18	52	4	32
5741050707	1"	43	53	24	56	7	41
5741050909	1 1/4"	52	62	29,5	65	6	50
5741051111	1 1/2"	59	68	34,5	75	16	57
5741051515	2"	70	80	34,5	91	31	70

The Tank adaptor is available as PP (suitable for water) On request available in NBR (Oils and diesel), FKM (aggressive liquids), and Brass. Available with male and female thread. In the Tabel: PP model with mail thread and are in stock.